

DRYPRO SIGMA Specifications

■ Laser Source

Semiconductor Laser

■ Film Size

14" x 17" (35x43cm), 11" x 14" (28x35cm), 10" x 12" (25x30cm), and 8" x 10" (20x25cm) selectable

■ Film

Dry Imaging recording film SD-S

■ Image Format

1,2,4,6,8,9,12,15,16,20,24,30,35

■ Image Memory

2GB

■ Pixel Size

78 μ m

■ Processing capability

Up to 45 films per hour (14x17in. (35x43cm))

■ Input interface

Ethernet 10/100/1000 Base-T

- Integrated DICOM interface supports printing from DICOM print modalities
- * Connect non-DICOM modalities using PrintLink IV.ID

■ Operating condition

15 - 33°C (59-91F) 20 - 80% RH, non-condensing

■ Power

100-120V \pm 10% (50/60HZ) 9A
200-240V \pm 10% (50/60HZ) 5A

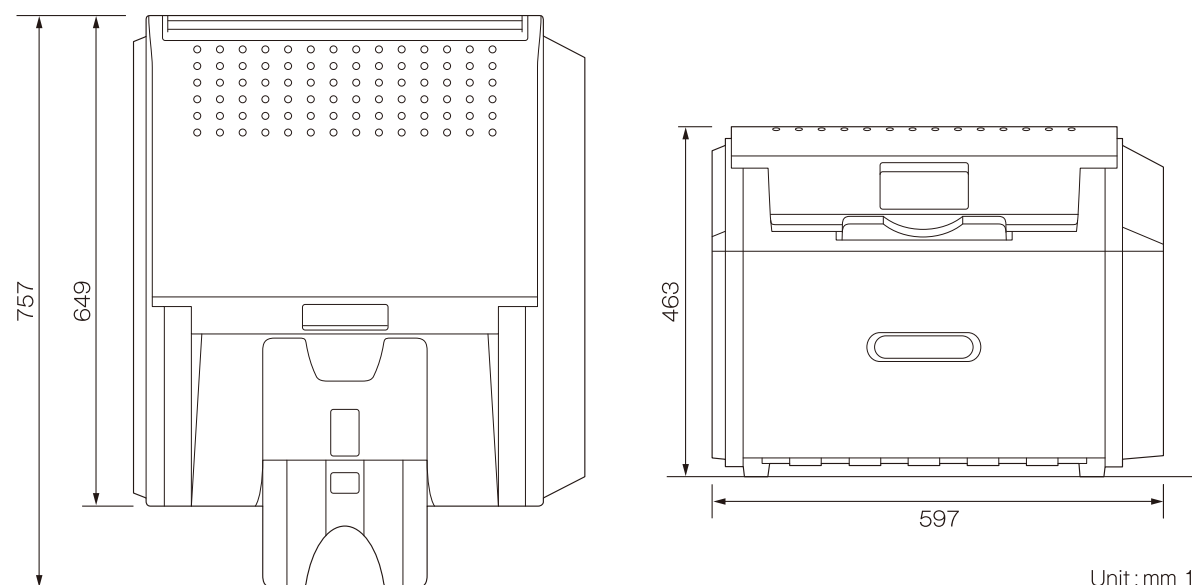
■ Dimensions / Weight

W597mm X D649mm X H463mm / 54kg

■ Footprint

0.39m²

DRYPRO SIGMA Outer Dimensions



★Specification are subject to change without prior notice.



KONICA MINOLTA

DRYPRO Σ



KONICA MINOLTA

KONICA MINOLTA MEDICAL & GRAPHIC, INC.

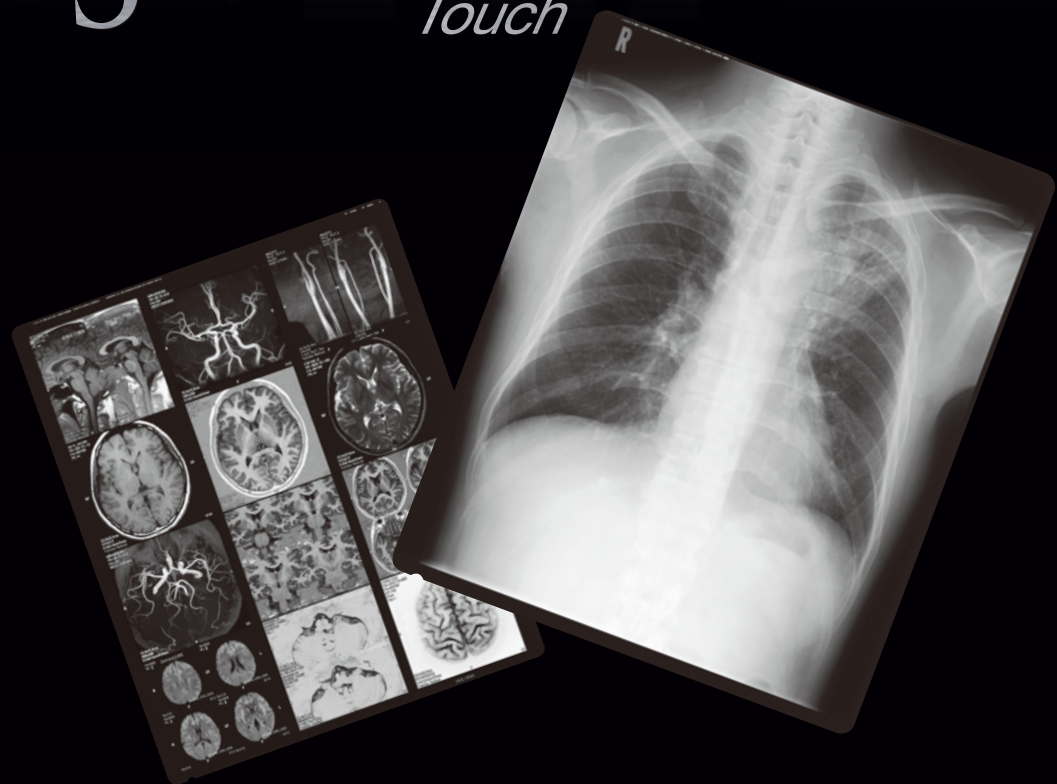
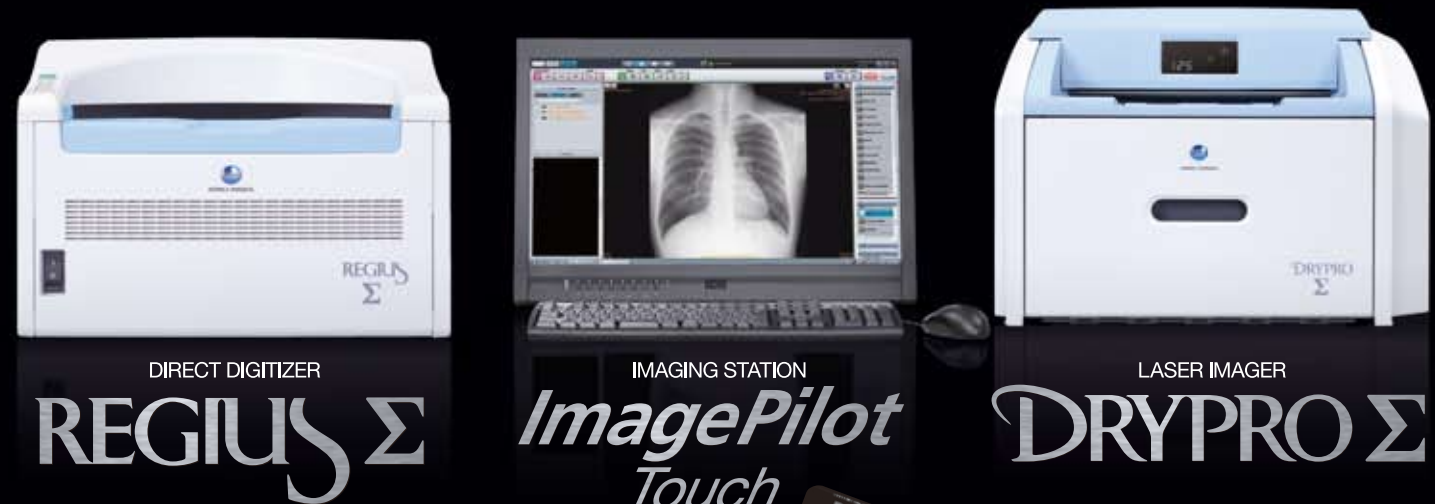
1 Sakura-machi, Hino-shi, Tokyo, 191-8511, Japan

Distributed by :

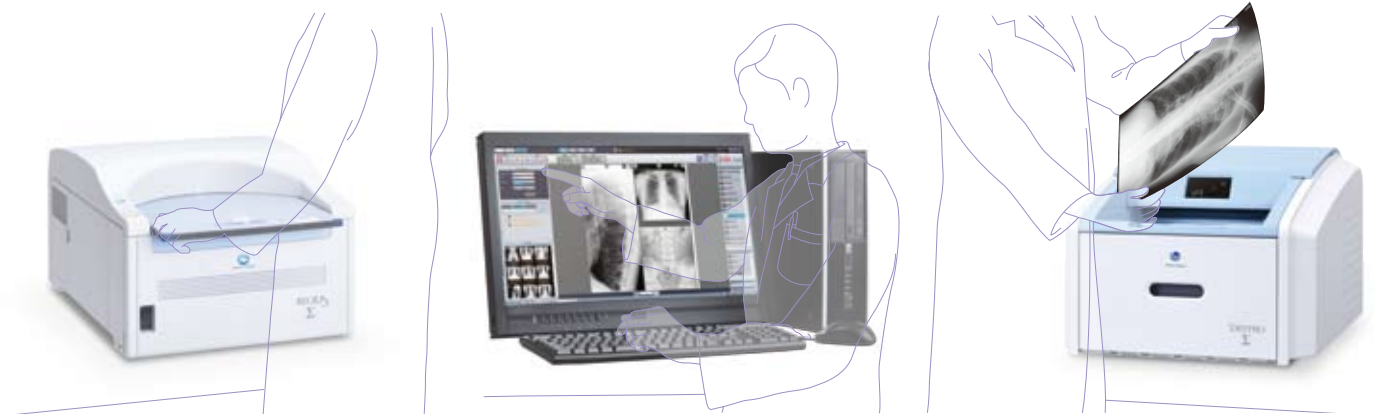
The essentials of imaging

SIGMA PACKAGE

DRYPRO SIGMA is a tabletop DRY Laser that adds true customer value to all institutions using film. Especially for budget-constrained institutions using the conventional product, it makes digital image easy and efficient when combined with REGIUS SIGMA and ImagePilot. One stride is all it takes to take you to the digital world. The compact and powerful SIGMA package services make it all possible.



From patient registration to out put to Film, Konica Minolta provides complete workflow.



I. Digitize

Just insert an exposed cassette into the REGIUS Σ CR reader. The Image Pilot then automatically processes the image for optimized diagnostic viewing. REGIUS Σ delivers up to 45 plates per hour. (14x17")

II. Print View

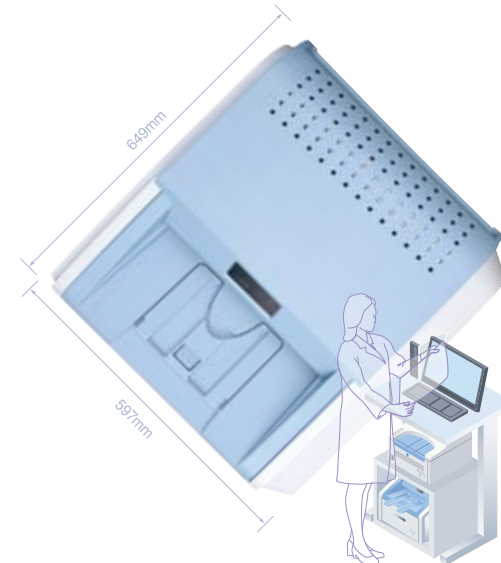
The ImagePilot has Print Compose mode. It adjusts images, layouts, and annotations freely. Since adjustments can be made on the Image Scan screen without needing to switch to another screen, the task can be completed in much shorter time.

III. Print

The DRYPRO SIGMA outputs the films up to 45 sheets (14x17") per after the image has been printed from ImagePilot. DRYPRO SIGMA has four types of films available, which can be transposed based on user needs.

Compact Design

DRYPRO SIGMA is a desktop DRY Laser Imager. It features a compact footprint as small as 65x60cm. It is designed to seamlessly integrate into various environments when combined with Regius SIGMA.



Four film sizes and easy loading process

Users can use four types of films for different purposes. Open the front cover, retrieve the film inside, and load new one. Replacing the film can be done with this simple process.



User-friendly

DRYPRO SIGMA is easy to operate, requiring no hands-on training upon installation and offering intuitive usability.

DICOM PRINTER

DRYPRO SIGMA can connect easily to other CR and DR consoles, CT, and MR, in addition to ImagePilot. Non-DICOM images can be scanned easily using ImagePilot and can also be printed using DRYPRO SIGMA.

Example for Connectivity Layout

